



SHINING STAR



Solar landscape light



INTRODUCTION

Product specifications

01 FRONT COVER

02 CATALOG

03
~
06 MAIN
ADVANTAGES

06 SPECIFICATIONS

07
~
09 OPTICAL FIGURE

10
~
12 DIMENTION
FIGURE

13 MORE DETAILS

14 CORE
TECHNOLOGY

15
~
17 INSTALLATION
INSTRUCTIONS

18
~
20 PACKAGE DETAIL

21 APPLICATION

Let the stars stay in the night sky


—

“Dark Sky” design to reduce light pollution and without destroying the lighting and decoration effect to combine lighting with the environment.




New technology enhances user experience

ALS technology to prolong the lighting time >7 rainy days
TCS technology to protect the lights can work normally and safety
in very hot and cold temperature

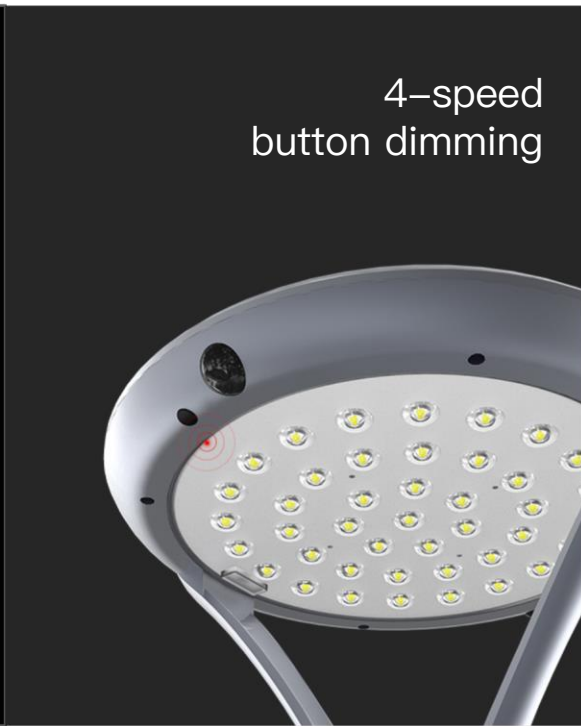


Double side
PIR 120°



**OVERALL
BODY
ALUMINUM
ALLOY**

4-speed
button dimming



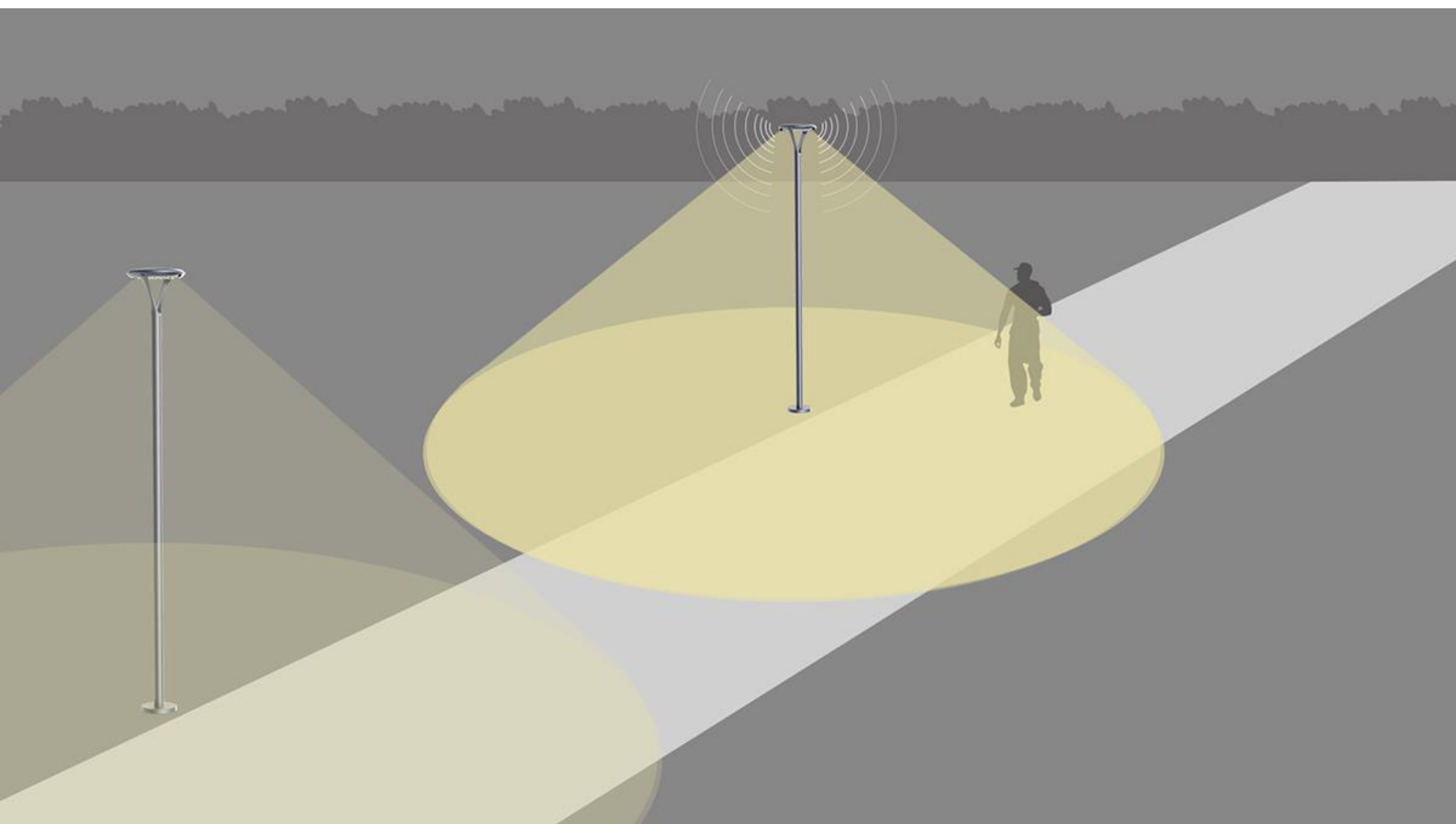
IP64 waterproof

—



PIR motion sensor max to 5M with 120° angle

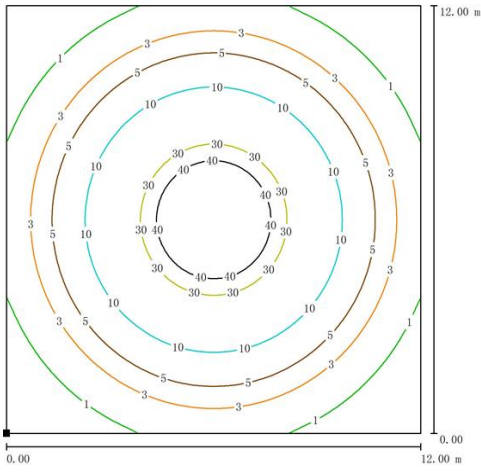
—
Double side PIR 120°



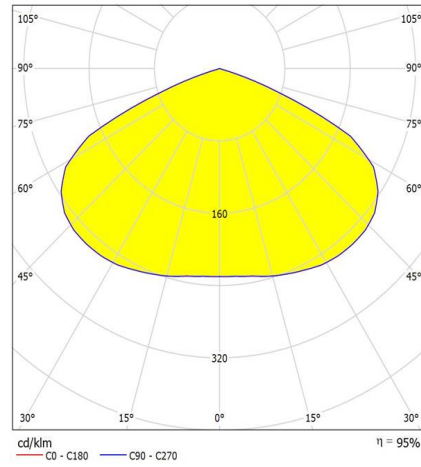
Item: Mirage 4	ESL-55	ESL-56	ESL-57
Light Brightness	2000LM	2000LM	2000LM
Solar panel			
Power	4.86V/5W	4.86V/5W	4.86V/5W
Li-ion battery			
Capacity	22.2 WH	22.2 WH	22.2 WH
Charging Temp	0~45°C/-20~+60°C	0~45°C/-20~+60°C	0~45°C /-20~+60°C
Charging Time	5.8H	5.8H	5.8H
LED (OSRAM)	2835 / 42pcs	2835 / 42pcs	2835 / 42pcs
Color Temp	4000K	4000K	4000K
Efficiency	150lm/W	150lm/W	150lm/W
UV LED	-	-	-
Performance			
Lighting Time in Rainyday	>10 days	>10 days	>10 days
Control Mode	Button Switch, ON/OFF Long Press 1.5s		
Lighting Mode(Remote Control)	M1: 200lm+PIR(one minute) M2: 0+PIR(one minute) M3: 600lm Timed 6 hours M4: 2000lm 2Hrs	M1: 200lm+PIR(one minute) M2: 0+PIR(one minute) M3: 600lm Timed 6 hours M4: 2000lm 2Hrs	M1: 200lm+PIR(one minute) M2: 0+PIR(one minute) M3: 600lm Timed 6 hours M4: 2000lm 2Hrs
Mode Indication	-	-	-
Capacity Indication	-	-	-
PIR	240°	240°	240°
Core technology	ALS 2.3	ALS 2.3	ALS 2.3
Solar Panel Autoclean	-	-	-
IP/IK Class	IP65	IP65	IP65
Install Height	-	-	-
Types of Lighting	135°	135°	135°
Materials	aluminium alloy+PC	aluminium alloy+PC	aluminium alloy+PC

ESL-55

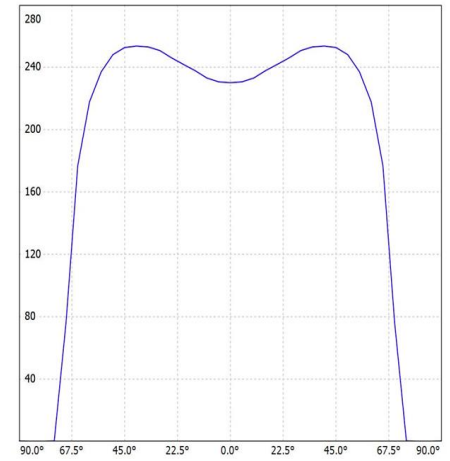
Road Simulated Diagram



Illumination Curve

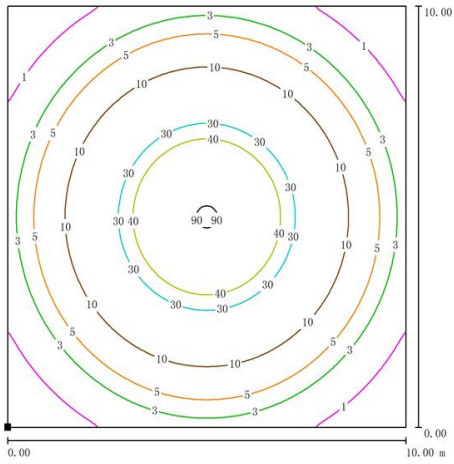


Luminance Distribution

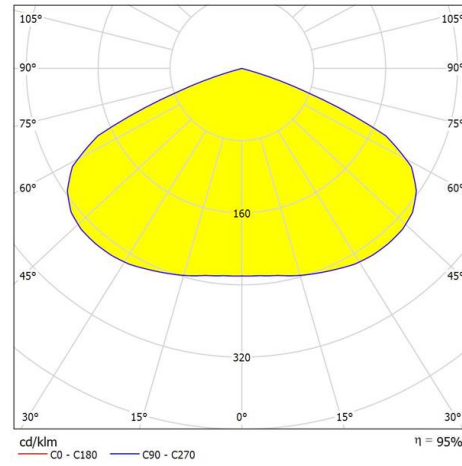


ESL-56

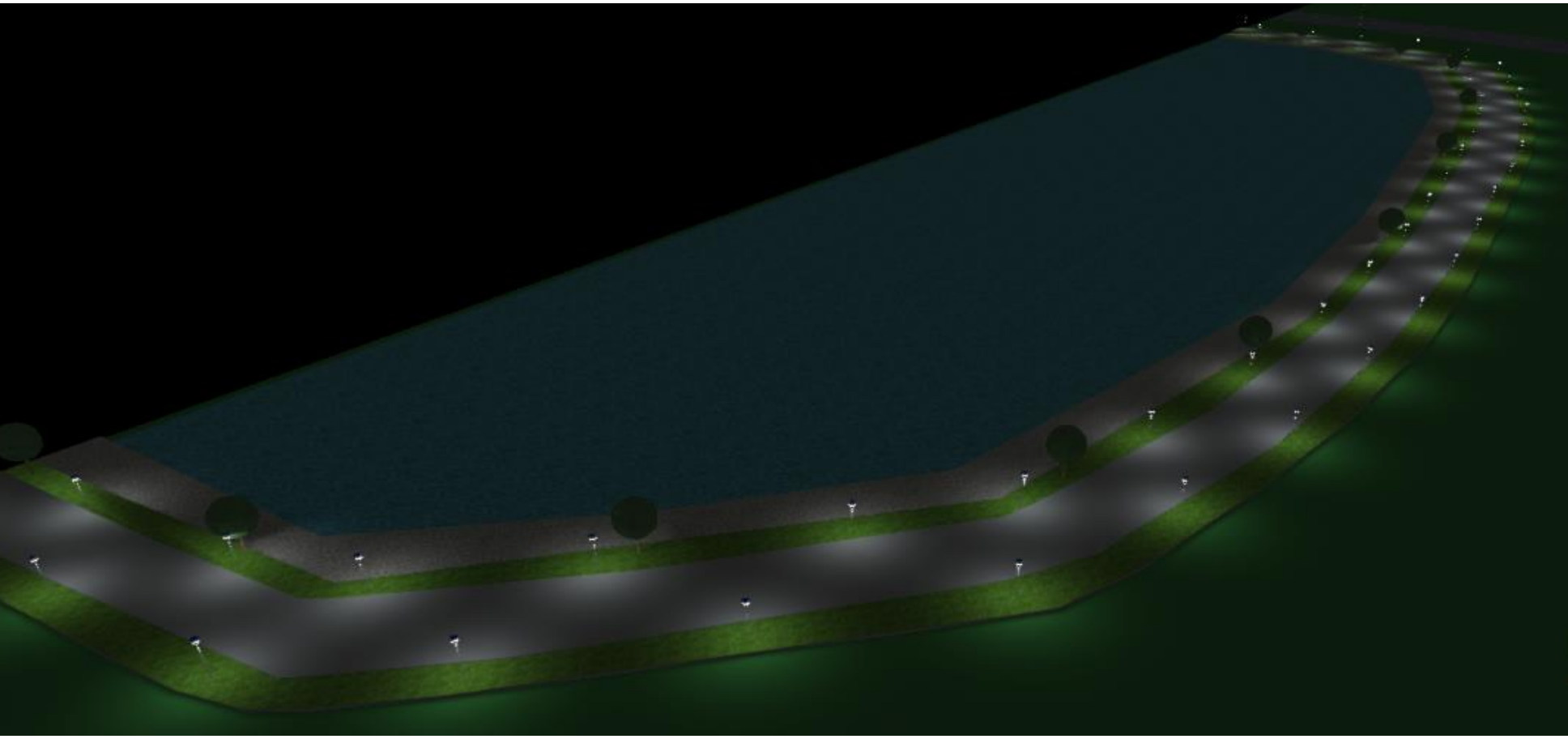
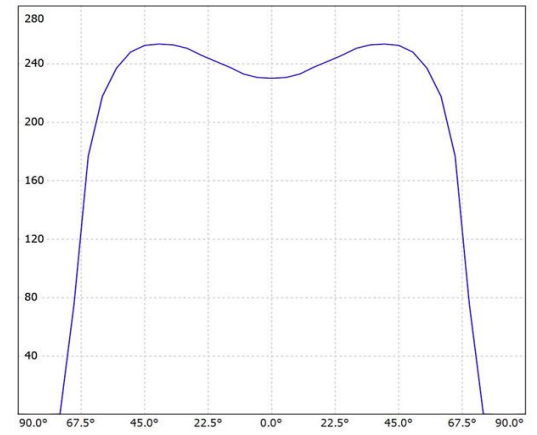
Road Simulated Diagram



Illumination Curve

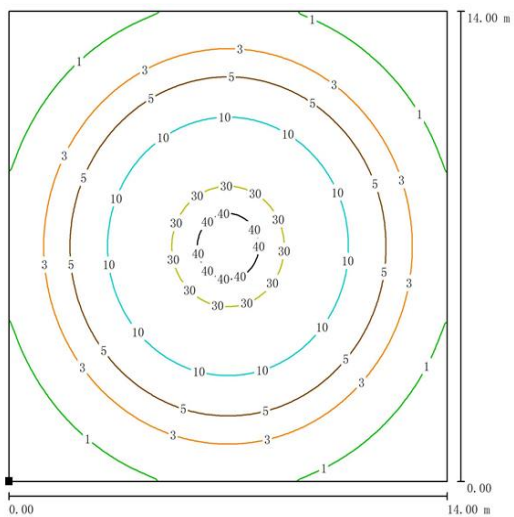


Luminance Distribution

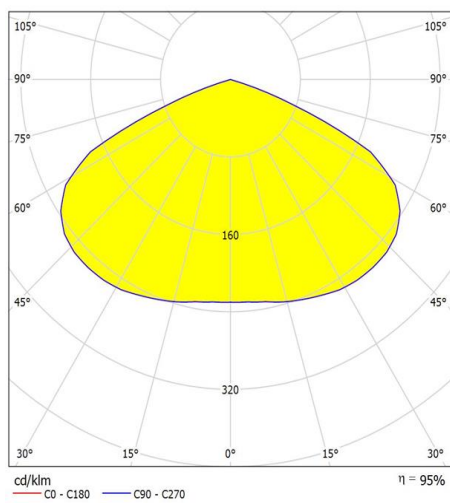


ESL-57

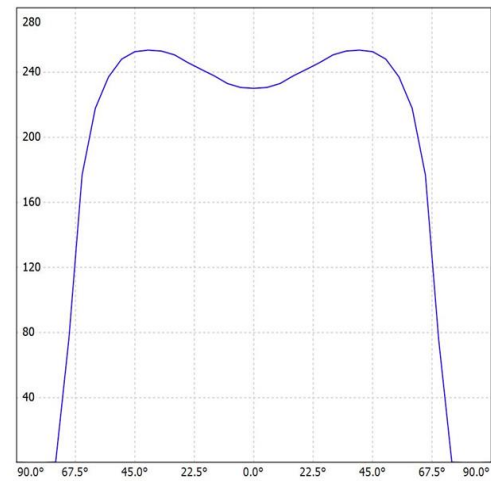
Road Simulated Diagram

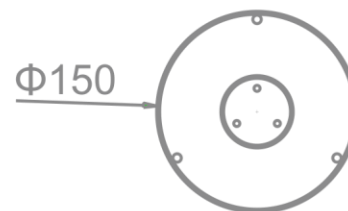
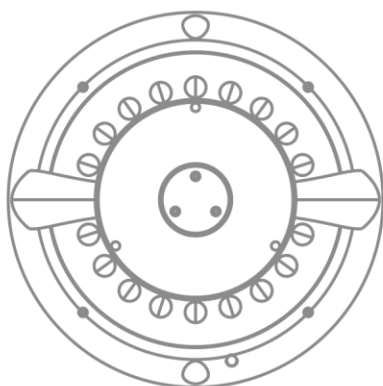
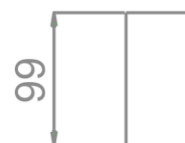
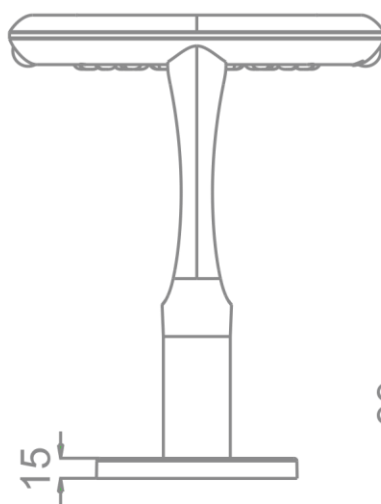
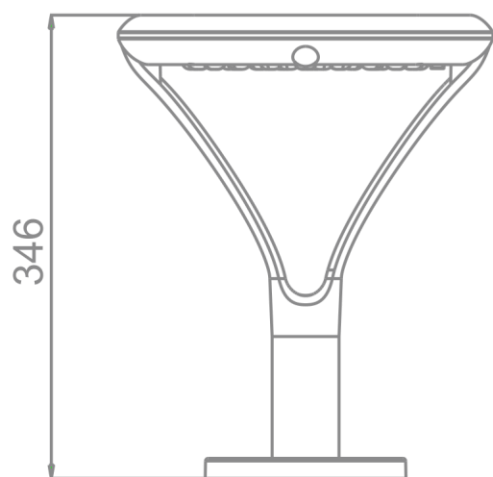


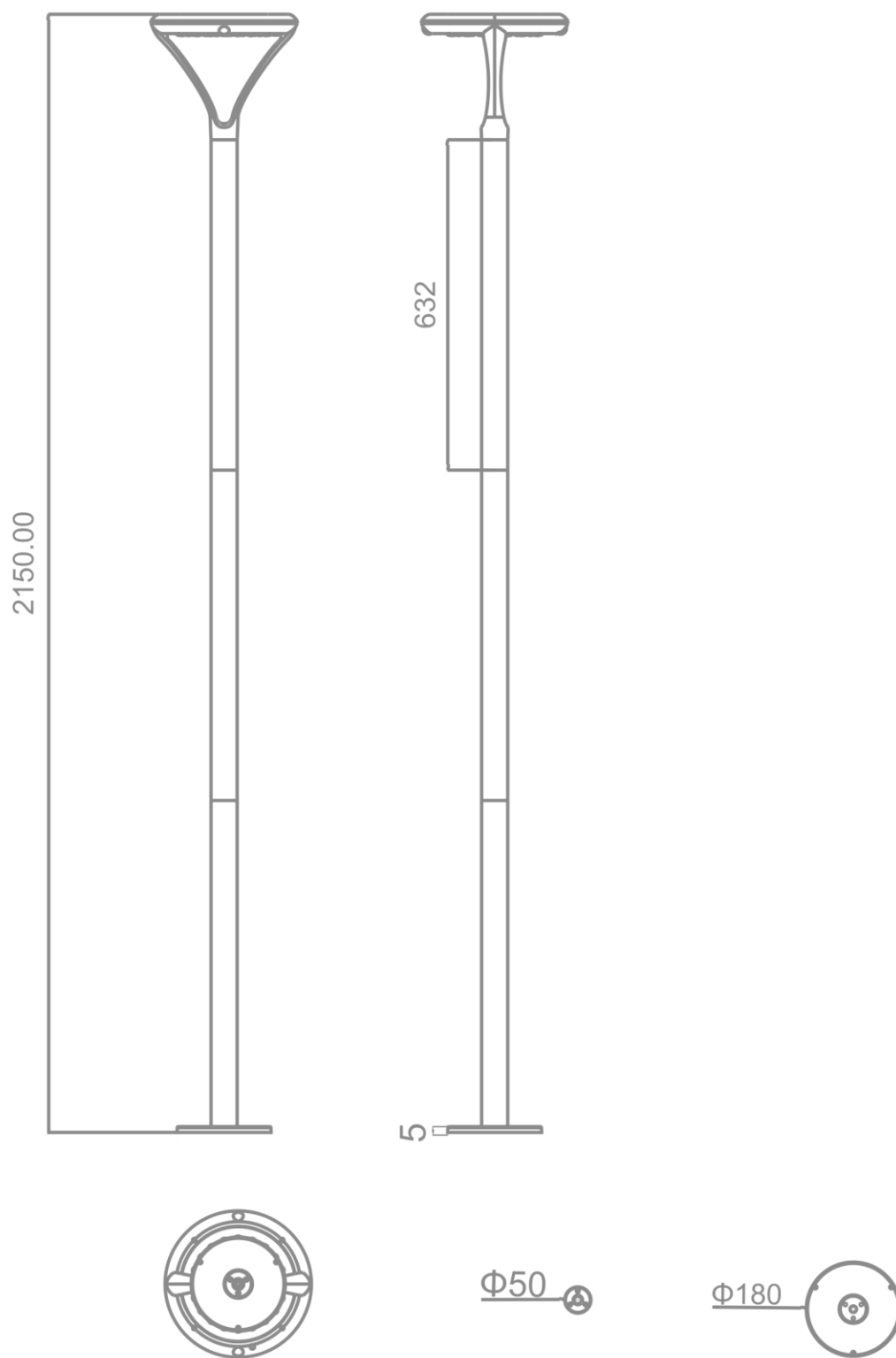
Illumination Curve

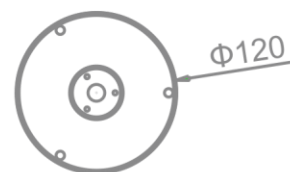
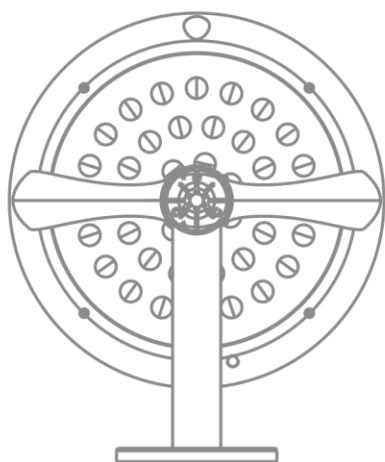
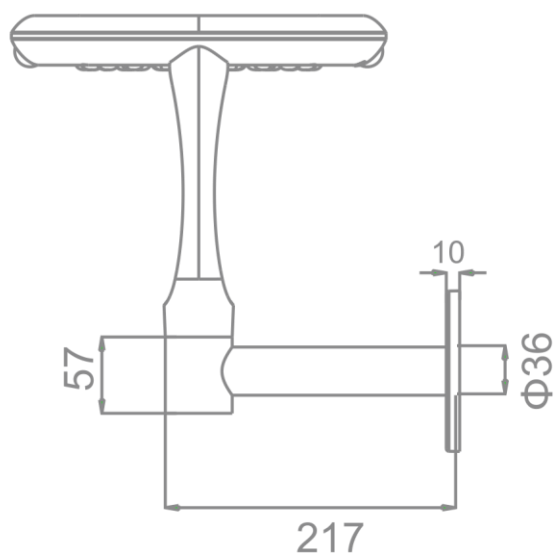
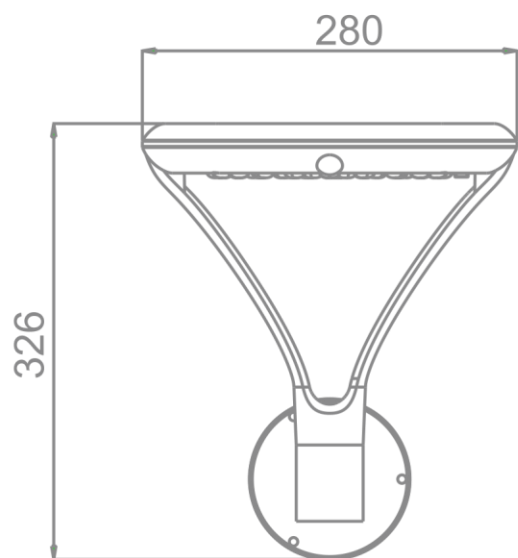


Luminance Distribution

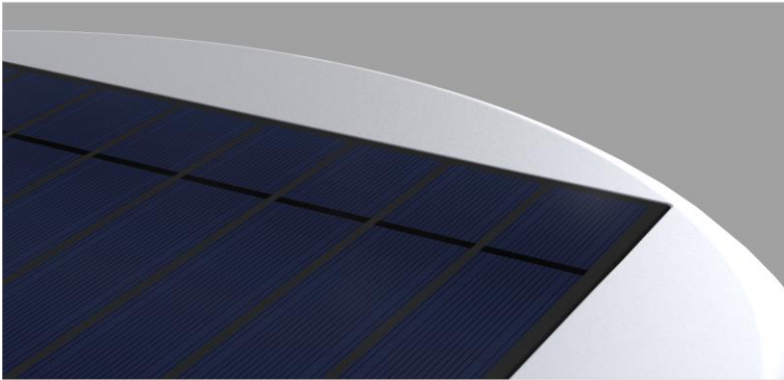








Detail Benefits



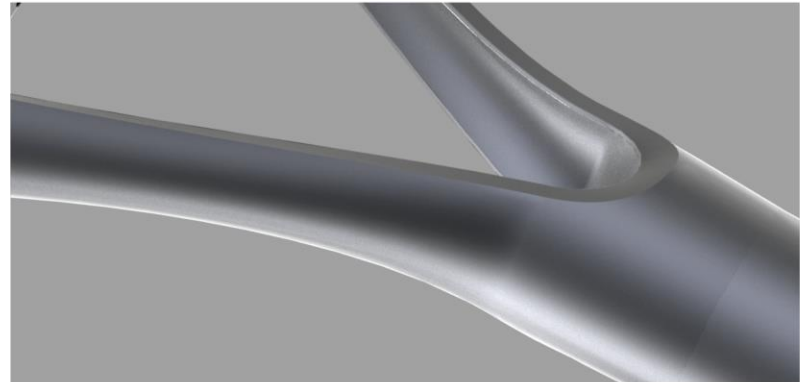
Monocrystalline >21%



PIR /
Switch



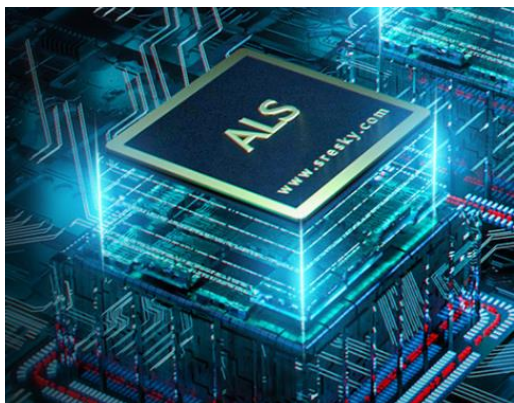
High lumen LEDs 150lm/W



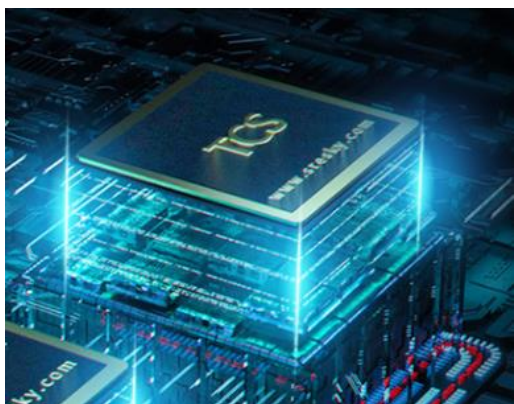
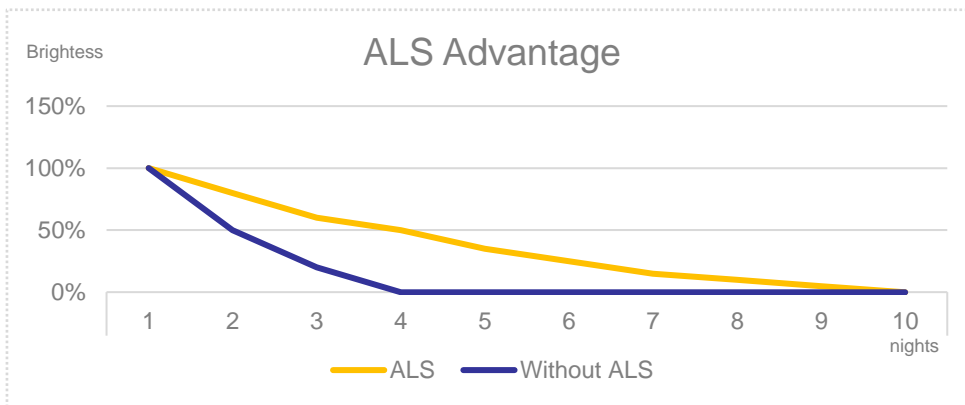
Bracket



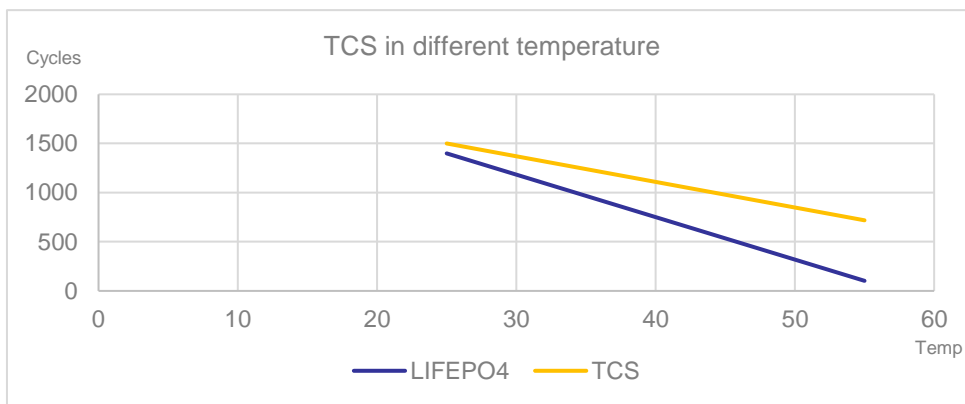
A Great Company should always pay the highest attention to the every detail design , and the craftsmanship spirit should be filled in the whole design process and mass production.



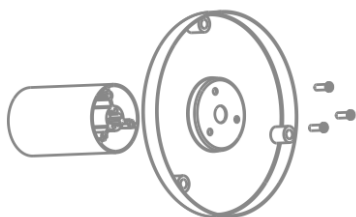
ADVANTAGE OF ALS



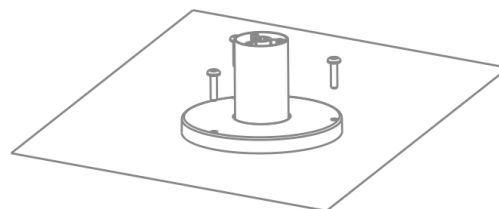
ADVANTAGE OF TCS



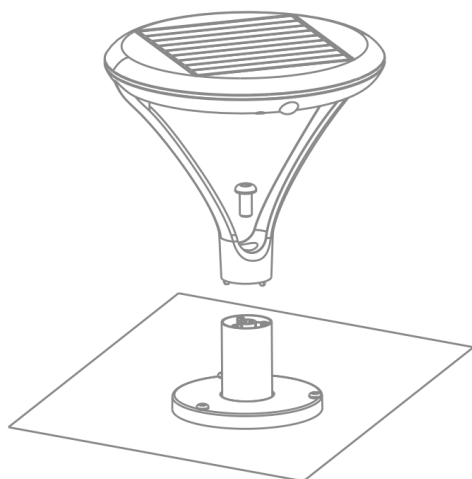
- 1 Fix the mounting plate and light pole with screws



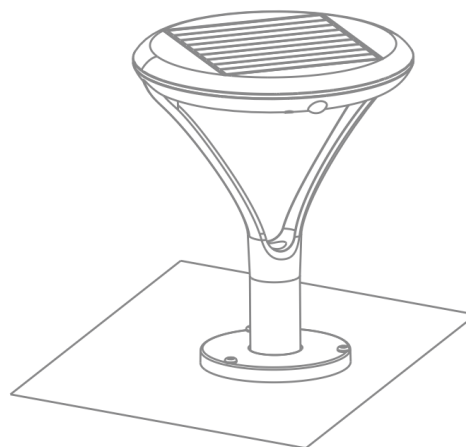
- 2 Fix the mounting plate to the wall with screws



- 3 Fix the lower cover and light pole with screws



- 4 Finish



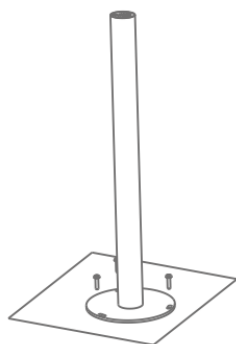
- 1** Fix the mounting plate and light pole with screws



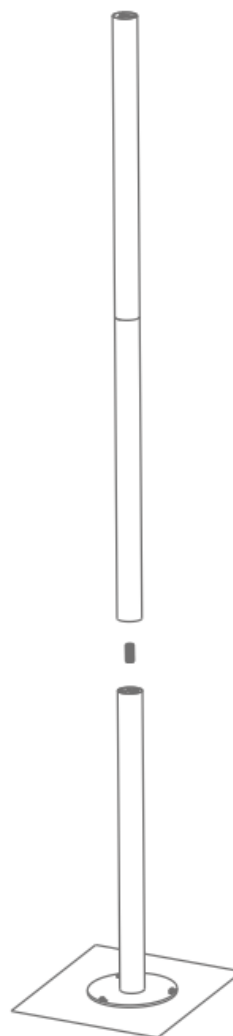
- 2** Fix the two poles with screws



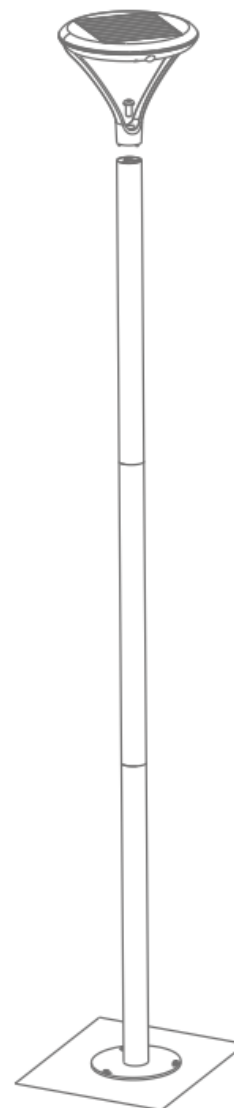
- 3** Fix the mounting plate to the ground with screws



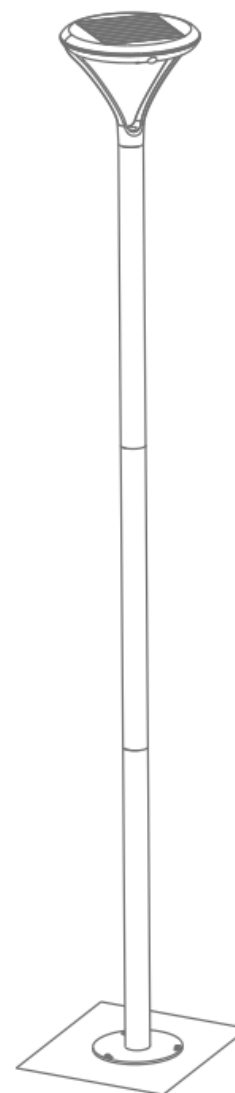
- 4** Fix the two poles with screws



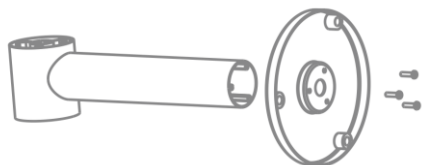
- 5** Fix the lower cover and light pole with screws



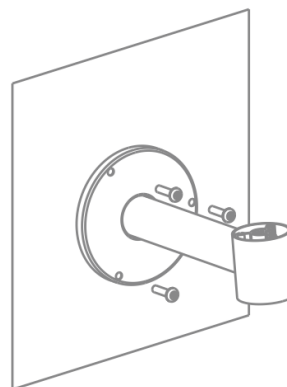
- 6** Finish



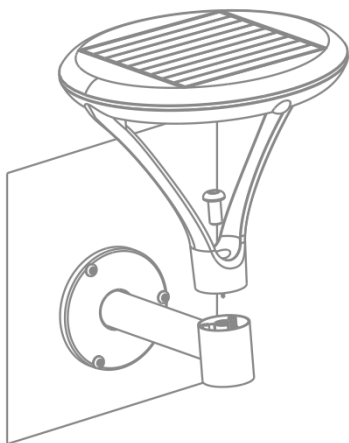
- 1 Fix the mounting plate and light pole with screws



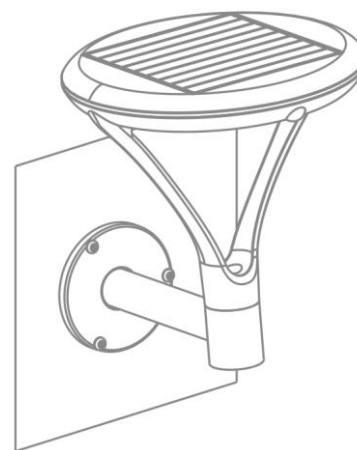
- 2 Fix the mounting plate to the wall with screws

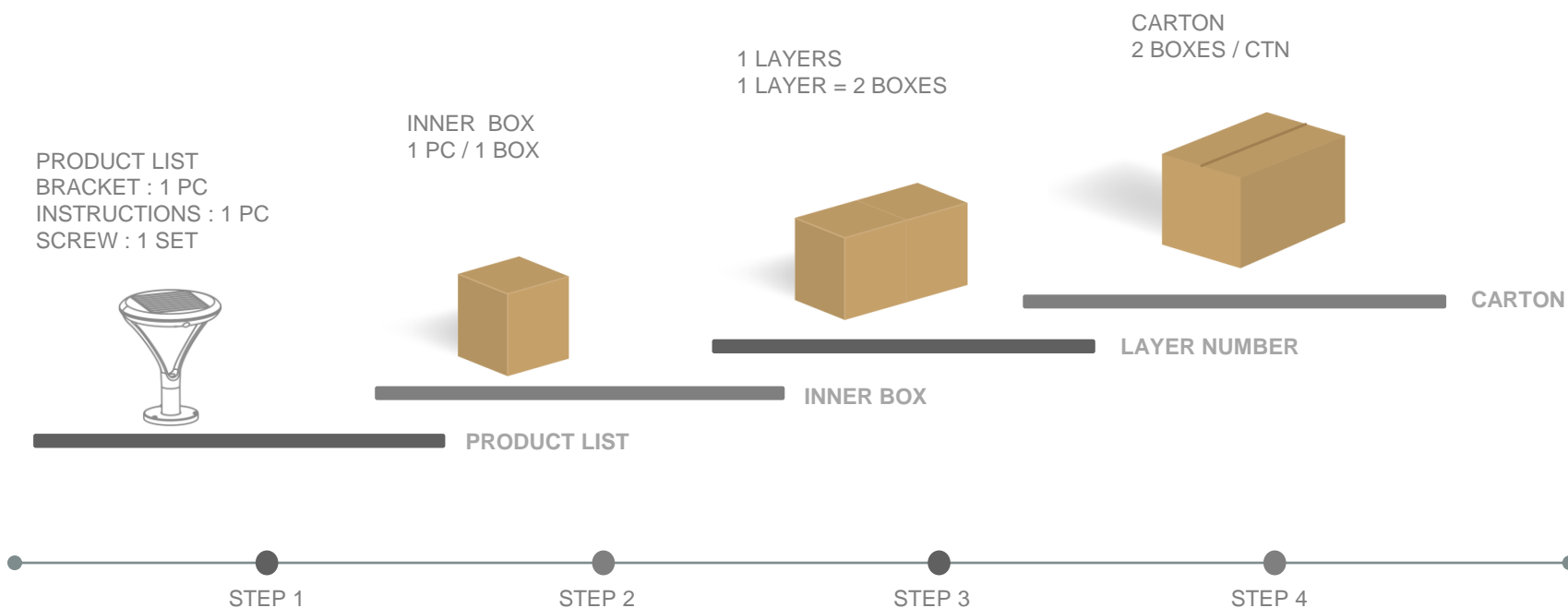


- 3 Fix the lower cover and light pole with screws



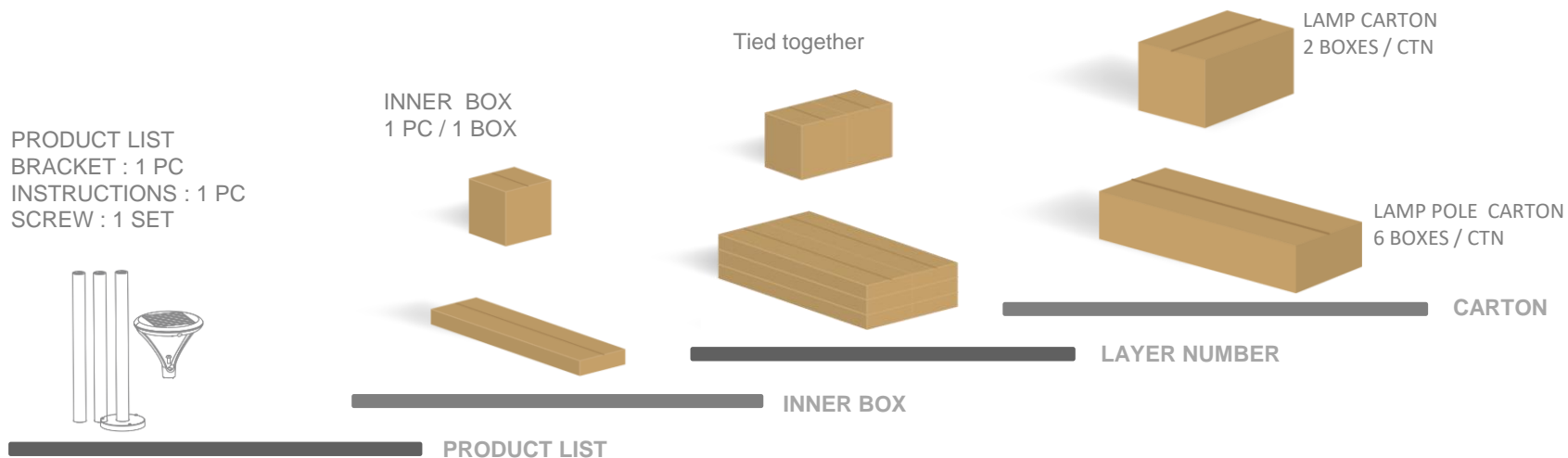
- 4 Finish





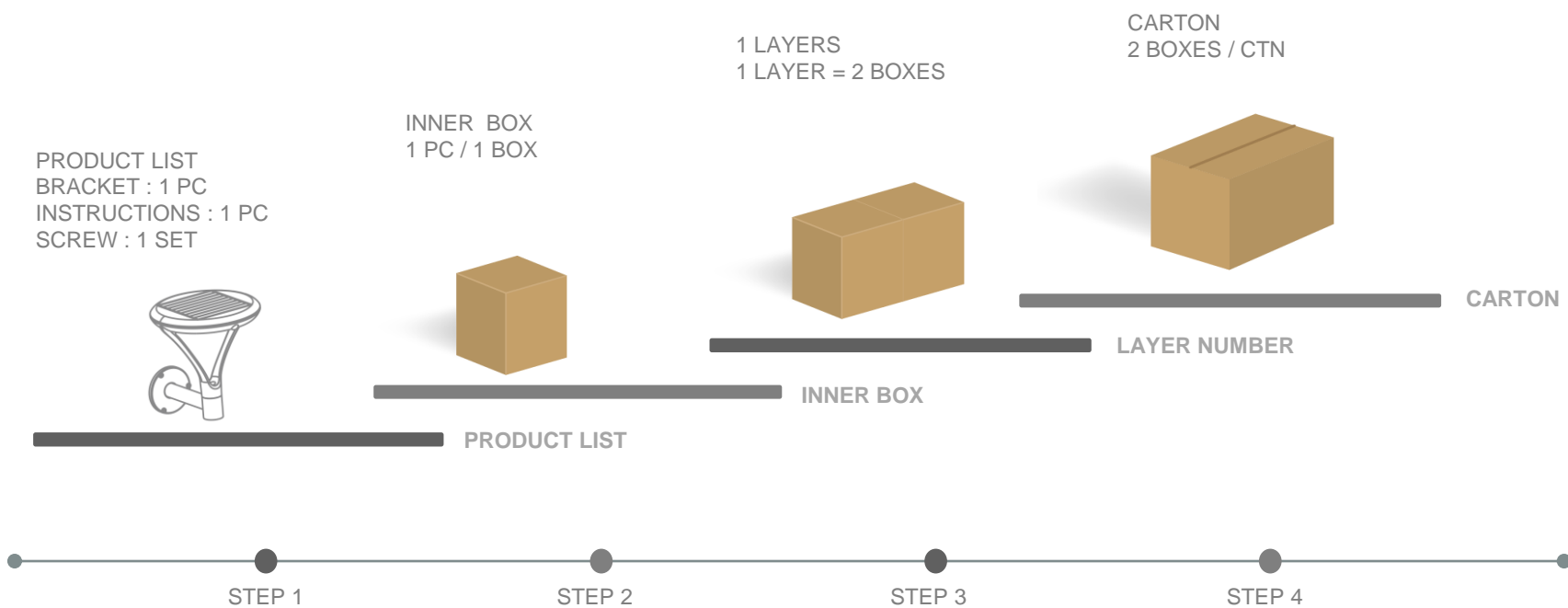
MODEL NO.	PACKING METHOD	PCS/ CTN	QTY(PCS)	CTN QTY	CARTON SIZE(MM)	N.W. (KG)	G.W (.KG)	Carton quantites of 20" GP	Carton quantities of 40" HQ
ESL-55	INNER BOX	1	1	1	330x302x325	1.71	2.85	/	/
	CARTON	2	2	1	675x317x341	/	/	408CTNs	840CTNs

Net weight and gross weight are for reference only



MODEL NO.	PACKING METHOD	PCS/CTN	QTY(PCS)	CTN QTY	CARTON SIZE(MM)	N.W.(KG)	G.W.(KG)	Carton quantities of 20" GP	Carton quantities of 40" HQ
ESL-56	LAMP INNER BOX	1	1	1	340x312x330	2.5	3.8	/	/
	LAMP CARTON	2	2	1	695x327x345	/	/	309CTNs	642CTNs
	LAMP POLE INNER BOX	1	1	1	647x170x70	2.1	2.4	/	/
	LAMP POLE CARTON	6	6	1	662X355x225	/	/	103CTNs	214CTNs

Net weight and gross weight are for reference only



MODEL NO.	PACKING METHOD	PCS/ CTN	QTY(PCS)	CTN QTY	CARTON SIZE(MM)	N.W. (KG)	G.W (.KG)	Carton quantites of 20" GP	Carton quantities of 40" HQ
ESL-57	INNER BOX	1	1	1	330x302x325	1.63	2.89	/	/
	CARTON	2	2	1	675x317x341	/	/	408CTNs	840CTNs

Net weight and gross weight are for reference only

S / O / L / A / R / L / I / G / H / T

THANKS
VERY
MUCH

